

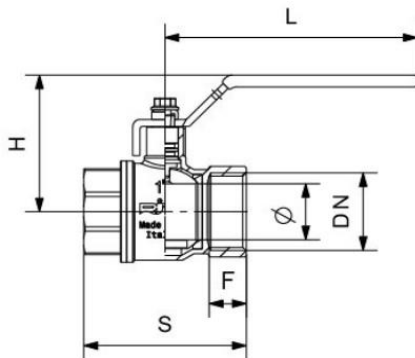
**Kugelhahn-Messing vernickelt**  
**Typ 4171, Typ 4331**  
**1/4" - 4"**



**Werkstoffe:** Gehäuse: Messing vernickelt  
 Kugel: Messing hartverchromt  
 Kugeldichtung: PTFE (Teflon)  
 Spindeldichtung: NBR (Perbunan)  
 Handhebel: Stahl verzinkt

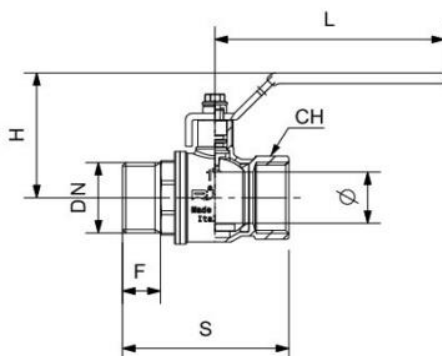
**Mediumstemperatur:** max. 110°C  
**Betriebsdruck:** siehe Tabelle p max.

**Typ 4171 innen/innen**



| Typ         | p max. [bar] | H [mm] | S [mm] | L [mm] | F [mm] |
|-------------|--------------|--------|--------|--------|--------|
| 4171-1/4"   | 40           | 45     | 38     | 80     | 10     |
| 4171-3/8"   | 40           | 45     | 42     | 80     | 11     |
| 4171-1/2"   | 40           | 47     | 48     | 80     | 13     |
| 4171-3/4"   | 32           | 53     | 57     | 105    | 14     |
| 4171-1"     | 32           | 58     | 69     | 105    | 16,5   |
| 4171-1 1/4" | 25           | 69     | 79     | 120    | 18     |
| 4171-1 1/2" | 25           | 81     | 89     | 135    | 19     |
| 4171-2"     | 25           | 94     | 109    | 160    | 22,5   |
| 4171-2 1/2" | 25           | 106    | 126    | 160    | 23     |
| 4171-3"     | 16           | 142    | 147    | 265    | 25     |
| 4171-4"     | 16           | 160    | 177    | 265    | 29     |

**Typ 4331 innen/außen**



| Typ         | p max. [bar] | H [mm] | S [mm] | L [mm] | F [mm] |
|-------------|--------------|--------|--------|--------|--------|
| 4331-1/4"   | 40           | 45     | 38     | 80     | 10,5   |
| 4331-3/8"   | 40           | 45     | 42     | 80     | 10,5   |
| 4331-1/2"   | 40           | 47     | 48     | 80     | 13     |
| 4331-3/4"   | 32           | 53     | 57     | 105    | 14     |
| 4331-1"     | 32           | 58     | 69     | 105    | 17     |
| 4331-1 1/4" | 25           | 69     | 79     | 120    | 17     |
| 4331-1 1/2" | 25           | 81     | 89     | 135    | 19     |
| 4331-2"     | 25           | 94     | 109    | 160    | 21     |
| 4331-2 1/2" | 25           | 106    | 126    | 160    | 30     |
| 4331-3"     | 16           | 142    | 147    | 265    | 33     |
| 4331-4"     | 16           | 160    | 177    | 265    | 40     |